



Rotating cleaners

ContiCleaner with slide bearing and MicroWhirly



- Rotating cleaning head with flat spray nozzles and slide bearings

Advantages of ContiCleaner

- Optimized for continuous internal cleaning
- Color-coded in accordance with ISO 10625 in sizes 12, 25, 30 and 60
- Starts up reliably even at low pressure
- Suitable for all sprayers

Advantages of MicroWhirly

- Effective rotating cleaning by means of flat spray nozzles
- Optimum internal cleaning of plant protection equipment tanks, canisters, containers and plant protection product packaging
- Self-powered, without external drive
- Robust design
- Resistant to chemicals



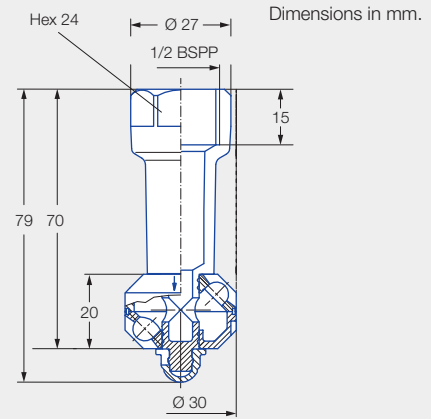
ATEX version on request



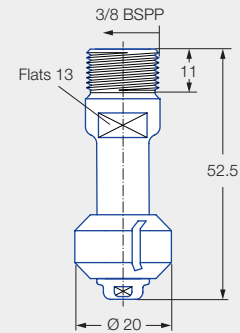
ContiCleaner



MicroWhirly



Female thread



Male thread

Technical data:



Spray angle
360°



Materials
PVDF, PTFE, stainless steel



Pressure ranges
2–5 bar



Operating principle
Free-spinning



Installation
Operation in every installation position



Max. tank diameter
ContiCleaner: 1.6 m
Type 566: 1.7 m



Pre-filtering
Line strainer with a mesh size 0.3 mm/50



Bearing
Slide bearing

Function video

www.lechler.com/de-en/medialibrary

Or simply scan the QR code.



Spray angle	Designation	Order No.			V̇ Wasser [l/min]			Max. tank diameter [m]
		Material			p [bar] (p _{max} = 7 bar)			
		AISI 316L	PVDF	PTFE and PVDF	2.0 bar	3.0 bar	5.0 bar	
	ContiCleaner 12 (60 M)	500.191.55.12.00		●	4.1	5.0	6.5	1.6
	ContiCleaner 25 (60 M)	500.191.55.25.00		●	8.2	10.0	12.9	1.6
	ContiCleaner 30 (60 M)	500.191.55.33.00		●	9.8	12.0	15.5	1.6
	ContiCleaner 60 (25 M)	500.191.55.60.00		●	20.4	25.0	32.3	1.6
	MicroWhirly stainless steel (25 M)	566.939.1Y.AE	●		21.0	26.0	33.6	1.7
	MicroWhirly PVDF (25 M)	500.191.5E.00		●	20.0	24.0	31.0	1.1

